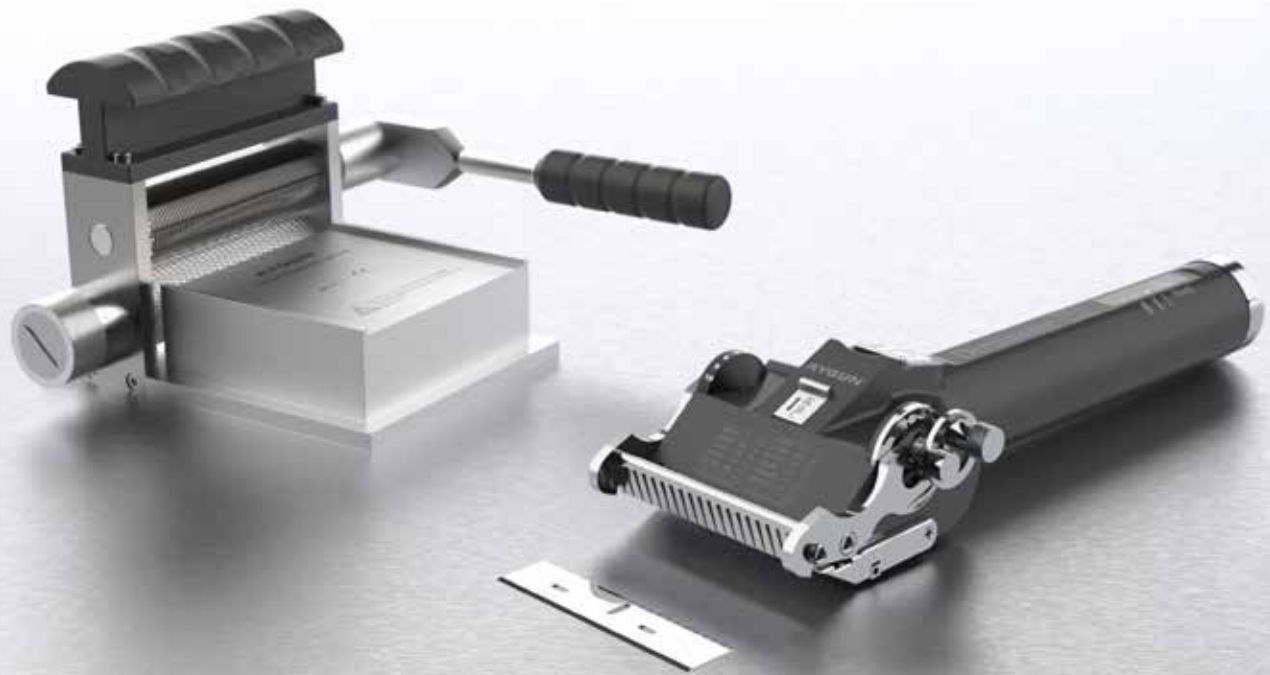


Dermatome ST-5

& Skin Graft Mesher

Battery Operated Surgical Power Tools



Precision In Every Layer
Masterful Grafting At Your Fingertips

Customizable Cutting Settings

Ergonomic and Lightweight Design

Enhanced Skin Grafting

 **hermann
müller**





Hermann Müller Medizintechnik GmbH has the right to modify and develop the products declared in this catalogue and its production program. The weight and dimensional information given in our catalog are approximate values.

Copyright © Hermann Müller Medizintechnik GmbH All Right Reserved, Printed in Türkiye

HM-KA4027 – Edition (08 / 2024)

- High Power
- New Generation Cutting Technology
- New Generation Surgical Motor Technology
- Li-ion Battery Technology

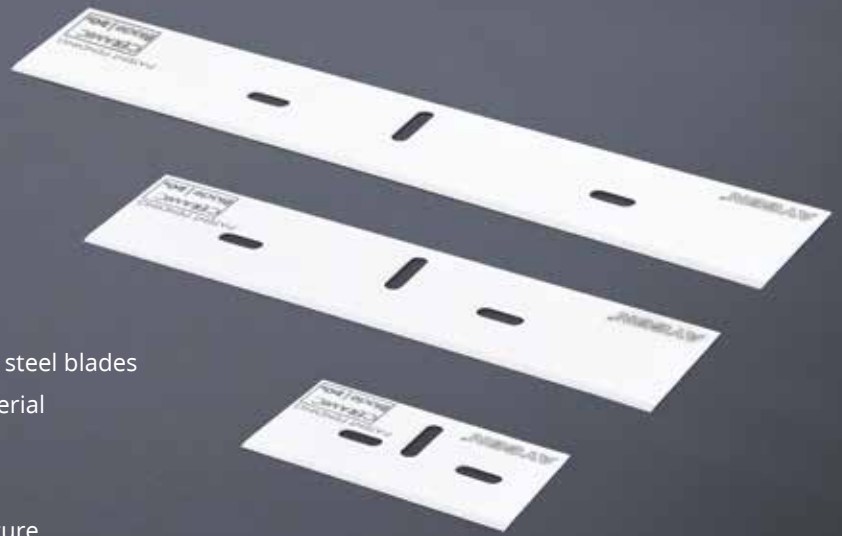


DERMATOME ST-5

- Special designed hand pieces for different operation variations
- Small, medium and large head designs provides precise cutting results in different areas
- Light weight and cordless, battery operated ergonomic system offers mobility
- Quick, easy and safe blade replacement mechanism
- 10 level for cutting thickness adjustment with 5 main and 5 intermediate level for sensitive results
- High quality dermatome blades for precise and smooth consequences
- Provides 40 mm, 80 mm and 120 mm cutting width options for standard use (With the help of width reduction clamp, it allows cutting in special dimension)

Ceramic Dermatome Blade

- Provides up to 10 times sharpness than traditional steel blades
- Biocompatible zirconium oxide (ZrO₂) ceramic material
- Autoclavable
- Not affected by chemicals
- Provides measurement stability with its rigid structure



Green, yellow and red lights indicate charging status.

White light indicates that the motor is ready for operation.



Mechanical structure of Dermatome ST-5 Handpieces provides users non-restrictive washing and disinfection.



The use of width-reducing clamps on the dermatome head allows cutting of smaller graft widths.



POWER BOX



M10-502
Power Box

- Powerful DC motor technology
- Battery type: Li-ion
- Battery capacity: 700 mAh
- Voltage: 12.6 Volts
- Charging time: 45 min
- Not Autoclavable
- Ø 30 x 195 mm / 300 g



- High technology Li-ion battery and Swiss made surgical motor
- Indicator light technology enables to monitor battery capacity without removing power box by user
- White indicator light informs user about not to put the product in autoclave when power box is not removed
- Non-sterile battery, motor and electrical parts increases durability of product life
- Extended battery life
- Flashing light on power box shows that the device is ready for use and also warns the user about preventing from putting into the sterilization device



M10-504
Autoclavable sterile funnel
for aseptic battery loading

- Steam sterilisable
- Ø 45 x 35 mm / 35 g



BATTERY CHARGING UNITS



M10-503

Charger unit for 2 battery

- Main voltage 100-240 Volts, 50-60 Hz
- Charging current 2.3 A (x2)
- Charging voltage 12.6 Volts
- Protections: Short circuit / Overload / Over voltage
- Charging indicator led
- Battery not included
- 175 x 190 x 100 mm / 1400 g



M10-505

Charger unit for 1 battery

- Main voltage 100-240 Volts, 50-60 Hz
- Charging current 2.3 A
- Charging voltage 12.6 Volts
- Protections: Short circuit / Overload / Over voltage
- Charging indicator led
- Battery not included
- 175 x 120 x 100 mm / 850 g

DERMATOME SMALL HANDPIECE (40 mm)

Dermatome Level	Cutting mm	Thickness inch
0	0.0	0.00000
1	0.1	0.00394
2	0.2	0.00787
3	0.3	0.0118
4	0.4	0.0157
5	0.5	0.0197
6	0.6	0.0236
7	0.7	0.0276
8	0.8	0.0315
9	0.9	0.0354
10	1	0.0394



M10-400
Dermatome Small Handpiece (40 mm)

- Autoclavable
- 16.000 cpm
- 290 x 65 x 50 mm / 730 g



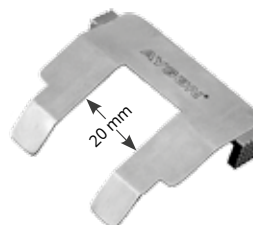
M7-104
Spare blades (10 ea)
One side cutting only.
Stainless steel

- 41 x 18,5 x 0,40 mm



M7-104C
Ceramic spare blade (1 piece)
(Ultrasharp)
One side cutting only.
Zirconium oxide (ZrO₂)
Patent pending

- 41 x 18,5 x 0,40 mm



M10-400A
Width reducing clamp (20 mm)

DERMATOME HANDPIECE (80 mm)

Dermatome Level	Cutting mm	Thickness inch
0	0.0	0.00000
1	0.1	0.00394
2	0.2	0.00787
3	0.3	0.0118
4	0.4	0.0157
5	0.5	0.0197
6	0.6	0.0236
7	0.7	0.0276
8	0.8	0.0315
9	0.9	0.0354
10	1	0.0394



M10-500

Dermatome Handpiece (80 mm)

- Autoclavable
- 16.000 cpm
- 290 x 105 x 50 mm / 1024 g



②

M7-105

Spare blades (10 ea)

One side cutting only.
Stainless steel

- 81 x 18,5 x 0,40 mm



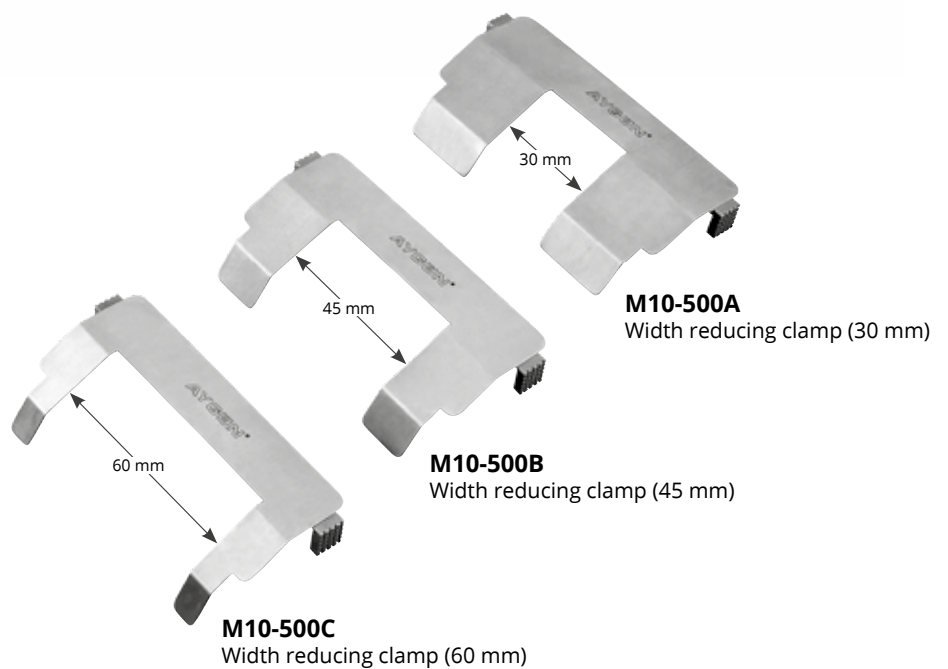
②

M7-105C

Ceramic spare blade (1 piece)
(Ultrasharp)

One side cutting only.
Zirconium oxide (ZrO₂)
Patent pending

- 81 x 18,5 x 0,40 mm



M10-500A

Width reducing clamp (30 mm)

M10-500B

Width reducing clamp (45 mm)

M10-500C

Width reducing clamp (60 mm)

DERMATOME LARGE HANDPIECE (120 mm)

Dermatome Level	Cutting mm	Thickness inch
0	0.0	0.00000
1	0.1	0.00394
2	0.2	0.00787
3	0.3	0.0118
4	0.4	0.0157
5	0.5	0.0197
6	0.6	0.0236
7	0.7	0.0276
8	0.8	0.0315
9	0.9	0.0354
10	1	0.0394



M10-600

Dermatome Large Handpiece (120 mm)

- Autoclavable
- 16.000 cpm
- 290 x 145 x 50 mm / 1360 g



M7-106

Spare blades (10 ea)
One side cutting only.
Stainless steel

- 121,5 x 18,5 x 0,40 mm



M7-106C

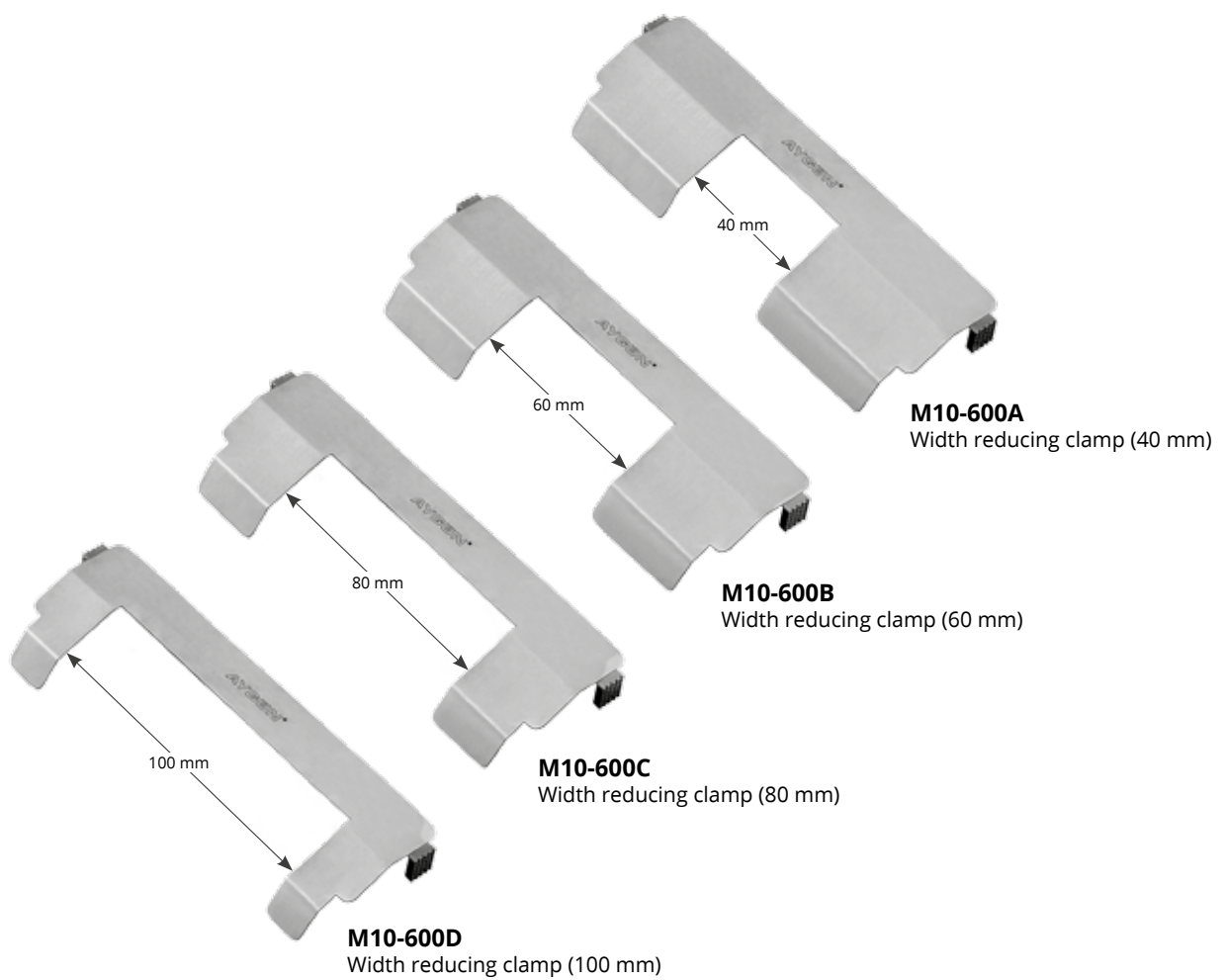
Ceramic spare blade (1 piece)
(Ultrasharp)

One side cutting only.
Zirconium oxide (ZrO₂)
Patent pending

- 121,5 x 18,5 x 0,40 mm



WIDTH REDUCING CLAMP FOR LARGE DERMATOME



DERMATOME BATTERY SET



M10-510 Dermatomome Battery Set

Set Content

M10-500	Dermatome Handpiece
M10-502	Power box
M10-504	Autoclavable sterile funnel for aseptic battery loading
M10-505	Charger unit for 1 battery
M7-105C	Ceramic spare blade
M10-500A	Width reducing clamp (30 mm)
M10-500B	Width reducing clamp (45 mm)
M10-500C	Width reducing clamp (60 mm)
M14-816	Spray oil
M10-530	PPSU attachment stand
K3-762	Lid
K3-751	Basket
K6-340	Perforated lid
K6-307	Box, non perforated



M10-505
Charger unit for 1 battery



M10-502
Power box

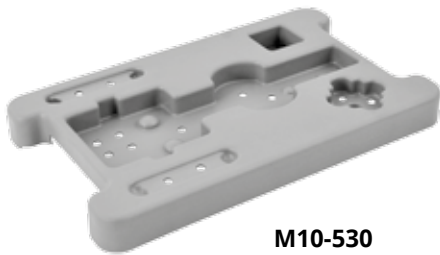


M10-500A (30 mm)
M10-500B (45 mm)
M10-500C (60 mm)
Width reducing clamp



M14-816
Spray oil

ACCESSORIES



M10-530
PPSU attachment stand



K3-762 (Lid)
407 x 256 x 4 mm

K3-751
Basket, made from
stainless steel sheet
405 x 253 x 110 mm



K6-340
Perforated Lid, Standard Model
460 x 285 mm

K6-307
Box, non perforated
475 x 272 x 138 mm

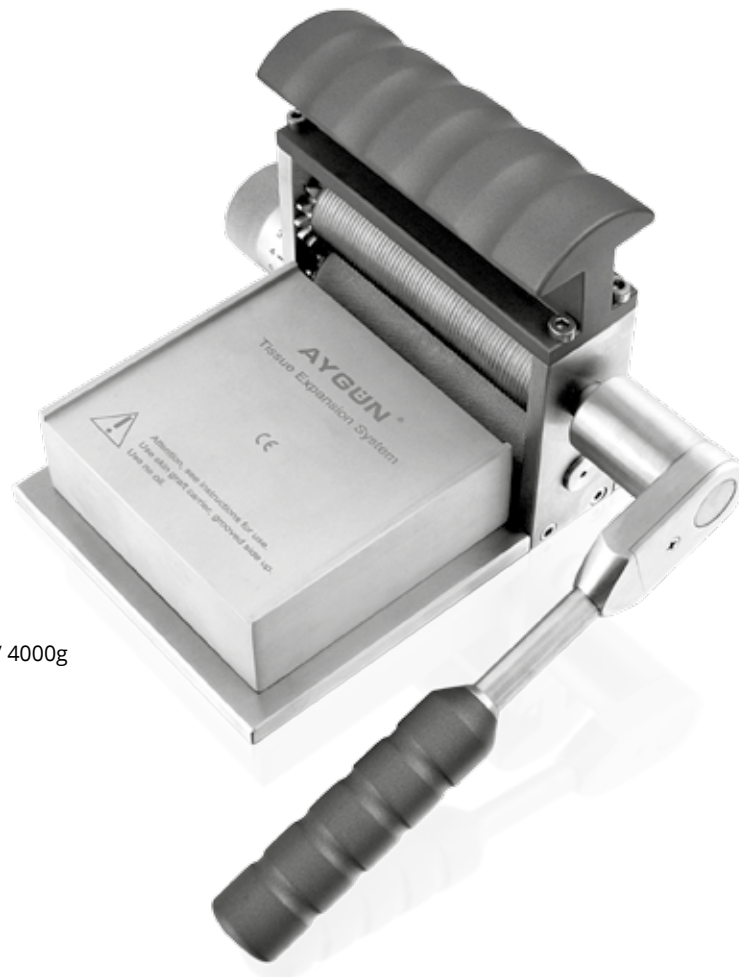


M14-816
Spray oil



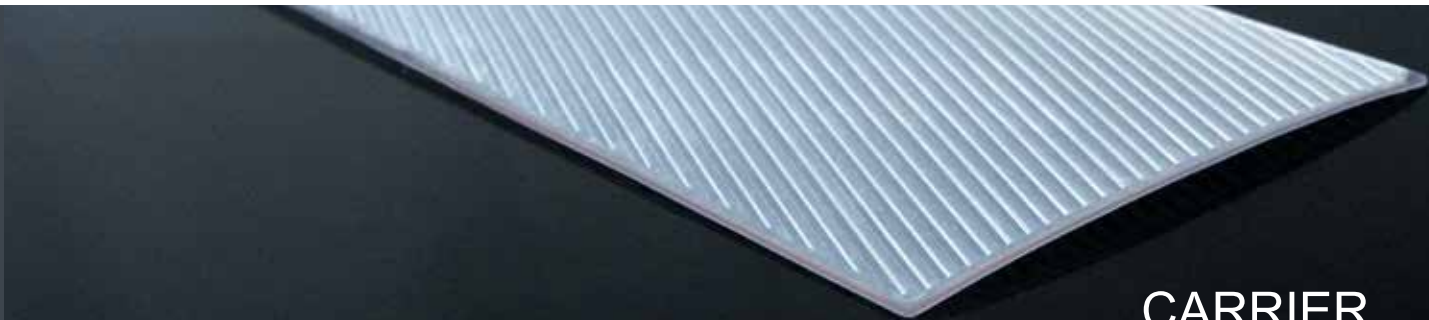
- Guides for Graft Carrier
- Ratchet Handle for Easy Operation
- Graft Thickness Adjustment (0-1,5 mm)

SKIN GRAFT MESHER



M11-500G
Skin Graft Mesher
205 x 165 x 120 mm / 4000g

- Single cutter cuts skin graft into geometrical shaped mesh & enlarges skin surface
- Graft expansion predetermined by graft carrying plates, eliminates the need to change the cutter during operation
- Continuous feed design prevents graft carrying plate from being loaded incorrectly and allows multiple plates to be used without interruption
- Graft thickness adjustment feature allows expansion on thin and thick grafts
- Easy availability of replacement parts

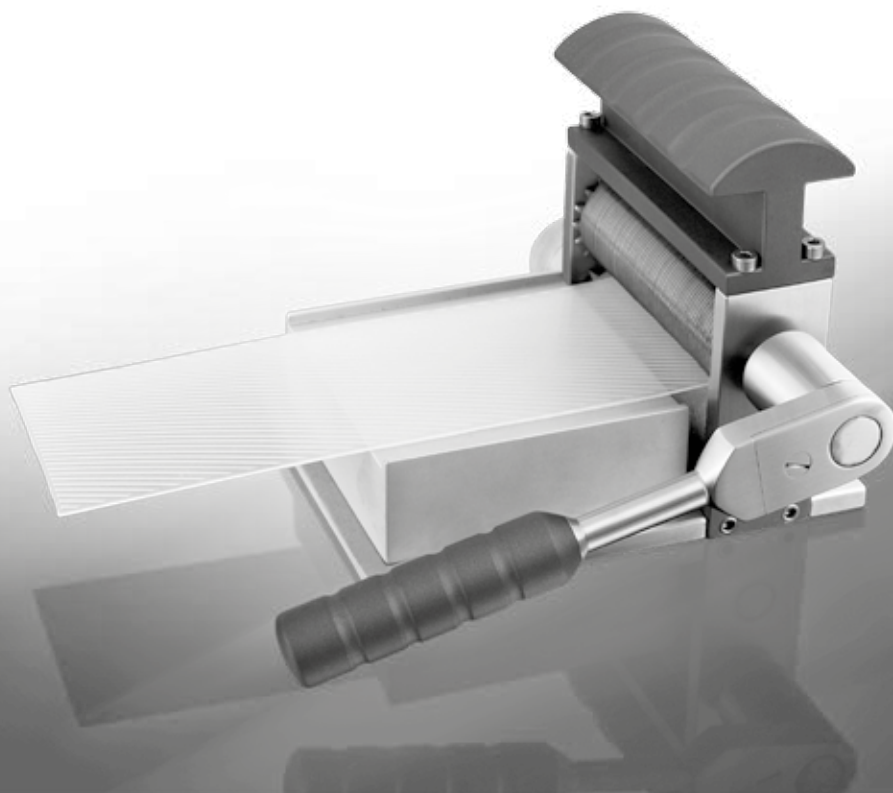


CARRIER



M11-600 Skin graft carrier > 1,5:1 (Box of 20)

M11-605 Skin graft carrier > 3:1 (Box of 20)



CONTAINER SET FOR STERILIZATION



K8-123V
Lid, B3 Barrier Model
585 x 285 mm

K6-107
Container, non perforated
600 x 272 x 138 mm



K8-343V
Lid, B3 Barrier Model
460 x 285 mm

K6-307
Container, non perforated
475 x 272 x 138 mm



K3-742
Basket made from
stainless steel sheet (with stand)
540 x 253 x 80 mm



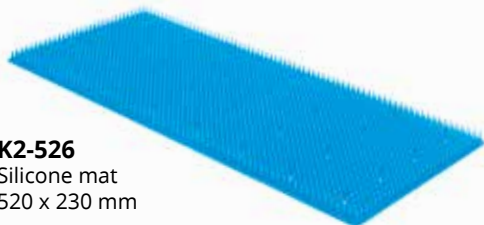
K3-750
Basket made from
stainless steel sheet (with stand)
405 x 253 x 80 mm



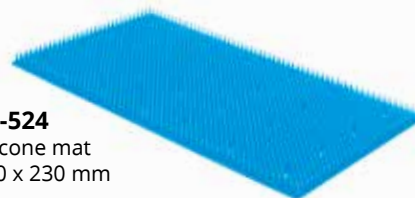
K2-462
Wire basket
540 x 245 x 70 mm



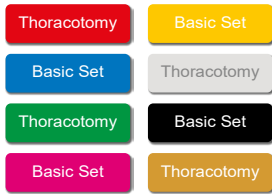
K2-1502
Wire basket
405 x 245 x 70 mm



K2-526
Silicone mat
520 x 230 mm



K2-524
Silicone mat
380 x 230 mm

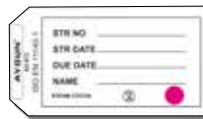


code	color
K2-700	Red
K2-701	Blue
K2-702	Green
K2-703	Yellow
K2-704	Grey
K2-705	Black
K2-706	Pink
K2-707	Brown

Identification labels (aluminium)
Coloured identification labels
Engraved to your specifications
Maximum 16 letters



K2-673
Labels (paper)
100 pcs. With indicator.
For small size and special
containers



K2-672
Labels (paper)
100 pcs. With indicator.
For full and half size containers



K1-900
Modular Auto Lock Mechanism (2 Pcs)



K2-660 red
Security seal
100 pcs made of plastic



K2-740
Single use paper
filter 100 pcs
with indicator.
Aygun mark.

INDEX

CODE	PAGE	CODE	PAGE
K1-900	17	M7-105	9
K2-462	16	M7-105C	9
K2-524	16	M7-106	10
K2-526	16	M7-106C	10
K2-660	17	M10-400	8
K2-672	17	M10-400A	8
K2-673	17	M10-500	9
K2-700	17	M10-500A	9, 12
K2-701	17	M10-500B	9, 12
K2-702	17	M10-500C	9, 12
K2-703	17	M10-502	6, 12
K2-704	17	M10-503	7
K2-705	17	M10-504	6
K2-706	17	M10-505	7, 12
K2-707	17	M10-510	12
K2-740	17	M10-530	13
K2-1502	16	M10-600	10
K3-742	16	M10-600A	11
K3-750	16	M10-600B	11
K3-751	13	M10-600C	11
K3-762	13	M10-600D	11
K6-307	13	M11-500G	14
K6-340	13	M11-600	15
K8-123V	16	M11-605	15
K8-343V	16	M14-816	13
M7-104	8		
M7-104C	8		



Headquarter

Hermann Müller Medizintechnik GmbH
Dr. Karl-Storz-Strasse 3 •
78532 Tuttlingen • Germany

T : +49 (0) 7461 4125
F : +49 (0) 7461 79263

Factory

Kerimbeyosb Mah.
Yaşardođu Cad. No: 76/1
55330, Tekkeköy/Samsun/Türkiye

www.hermannmuller.com
info@hermannmuller.com

All rights reserved. No part of this catalog may be reproduced, copied, or published in any form without the written permission of Hermann Müller.